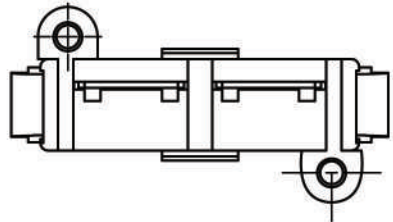
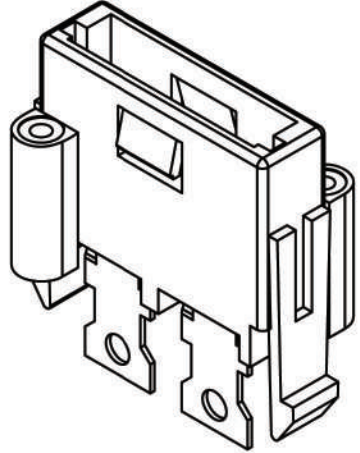
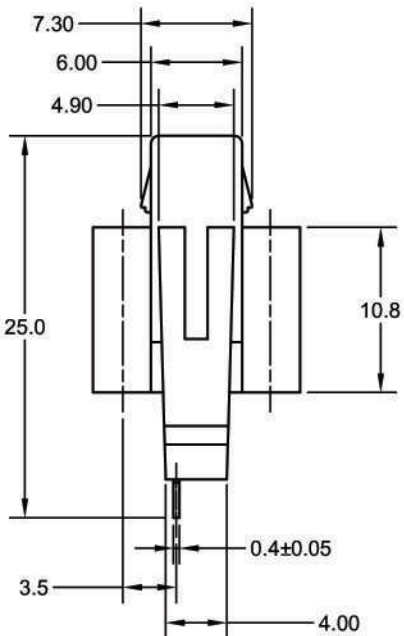
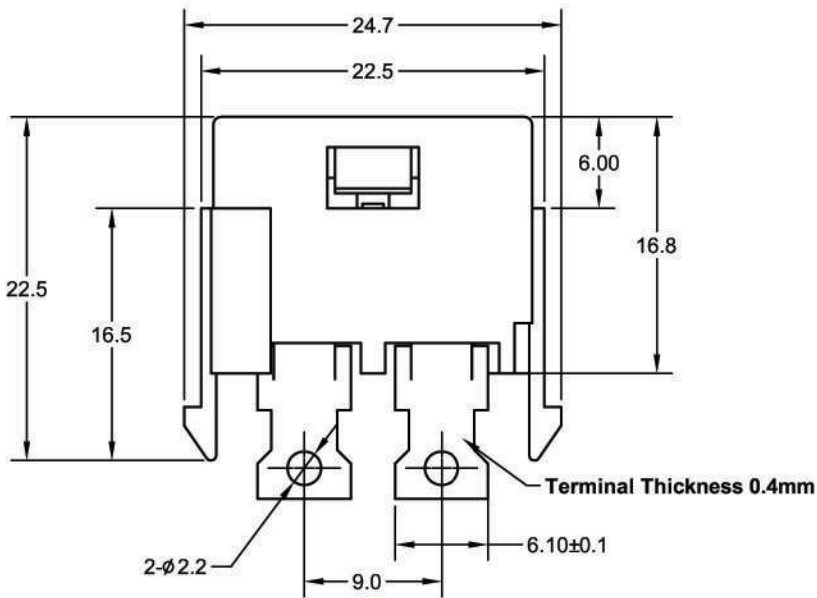
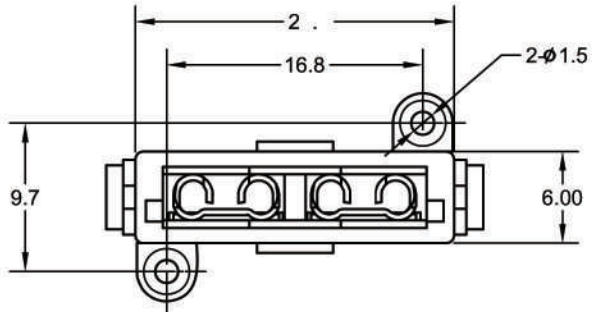




PANEL FUSEHOLDE FOR ATU FUSE

SPECIFICATIONS:
 Electrical:Max. 20A 32V
 Insulating Boby:Nylon
 Contact:0.4mm Brass tin plated



UNLESS OTHERWISE SPECIFIED DIMENSIONS ARE IN MM TOLERANCE DECIMALS ANGULAR X± 0.5 ± 2° XX± 0.25 DO NOT SCALE DRAWING  		CUSTOMER NO.	DONGGUAN TIANRUI ELECTRONIC CO., LTD.
		DRAWN BY	TITLE
		CHECKED BY	PANEL MOUNT FUSE HOLDER
		APPROVED BY	
P/N		DATE	2008/02/04
REV	A	SCALE	
		PART NO.	SL-703F
		DRAWING NO.	BA05033002